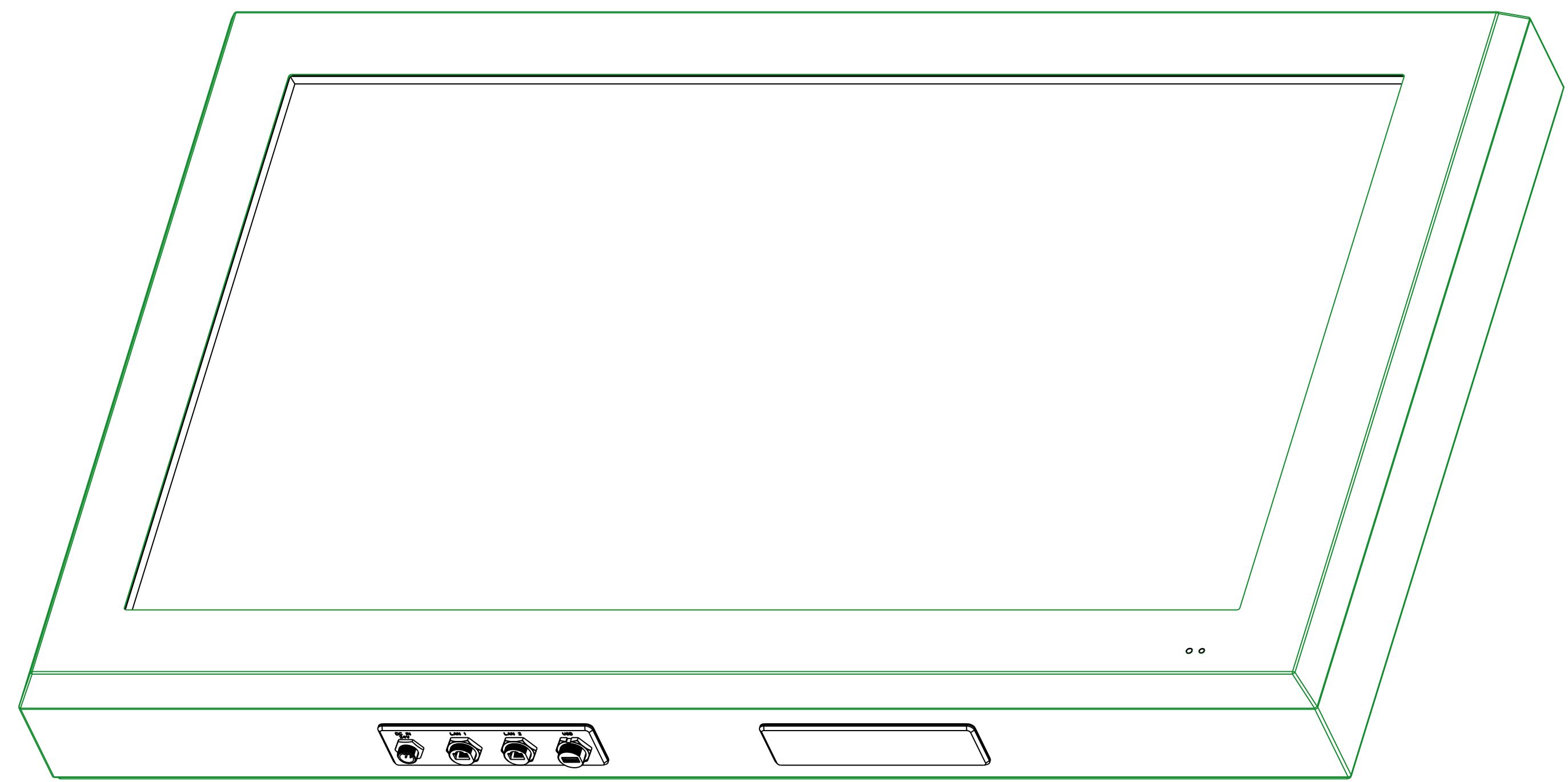
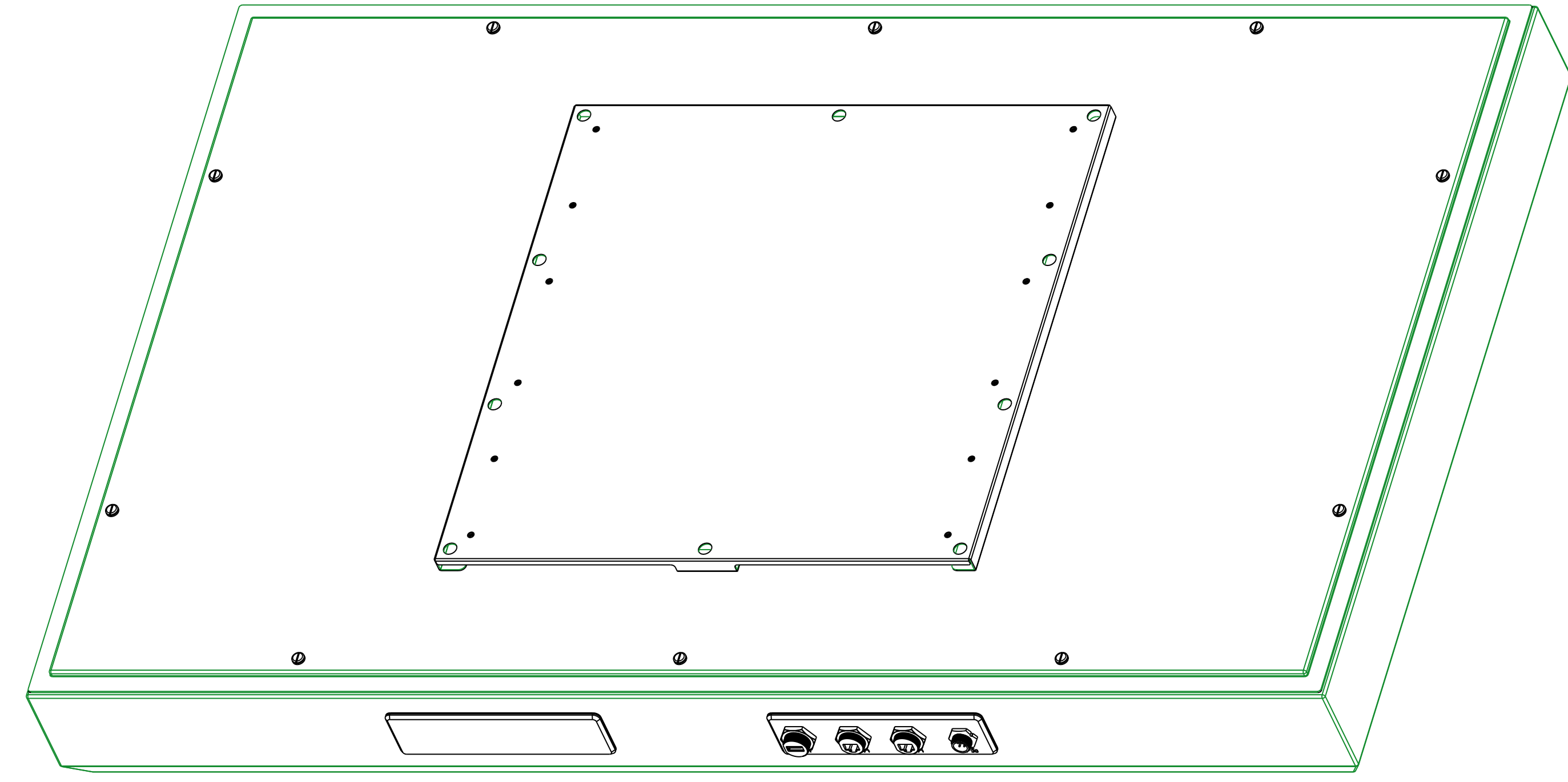


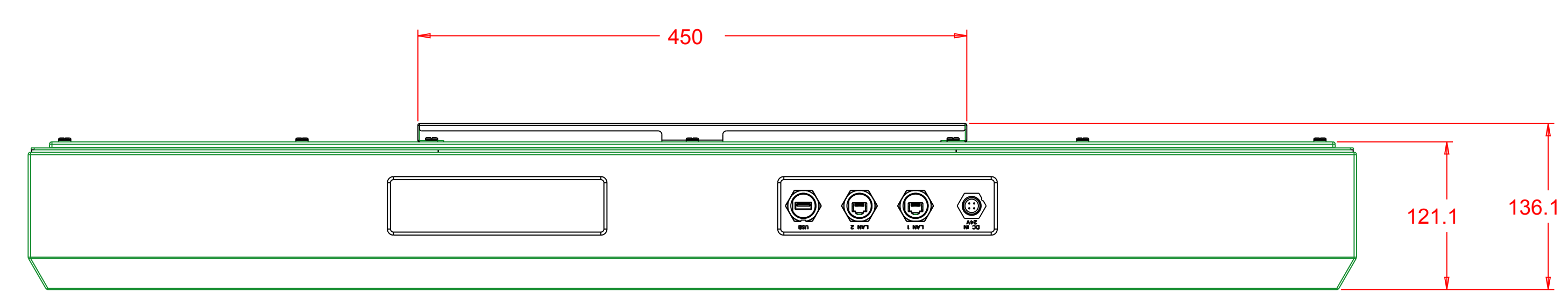
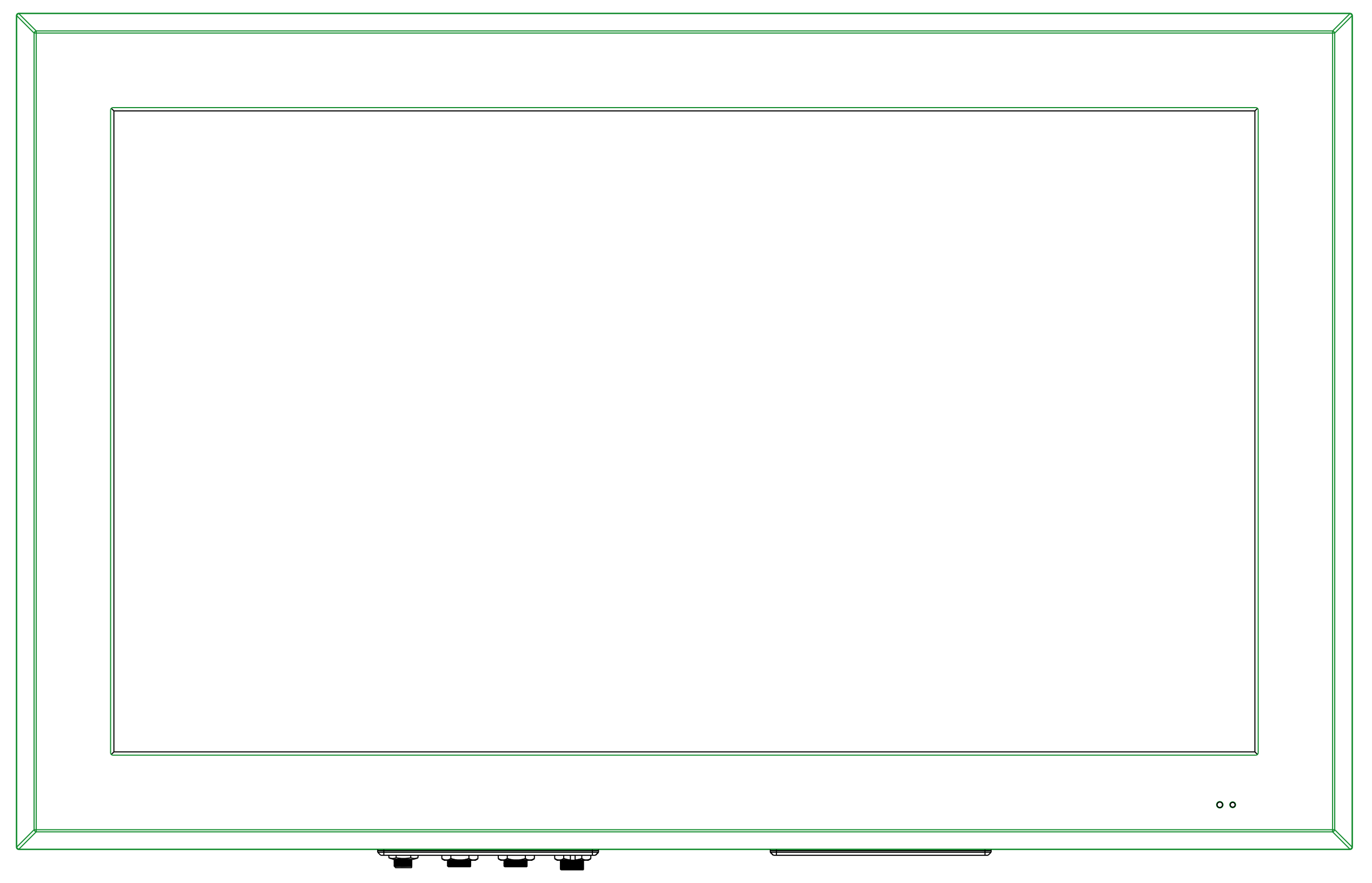
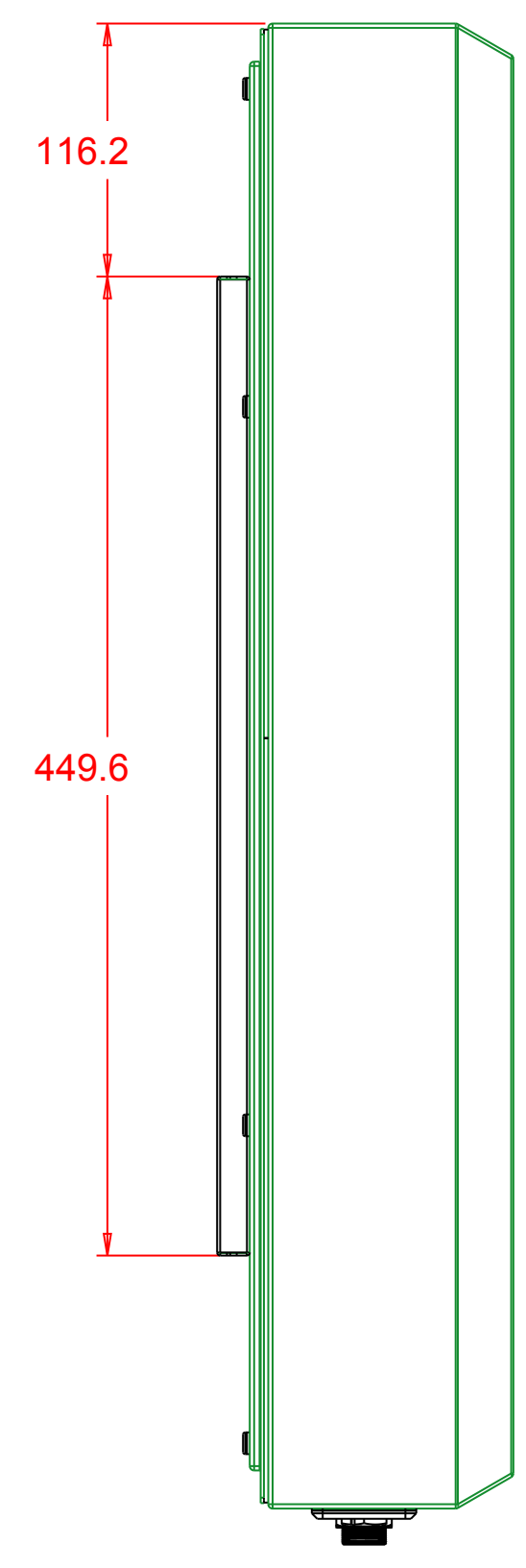
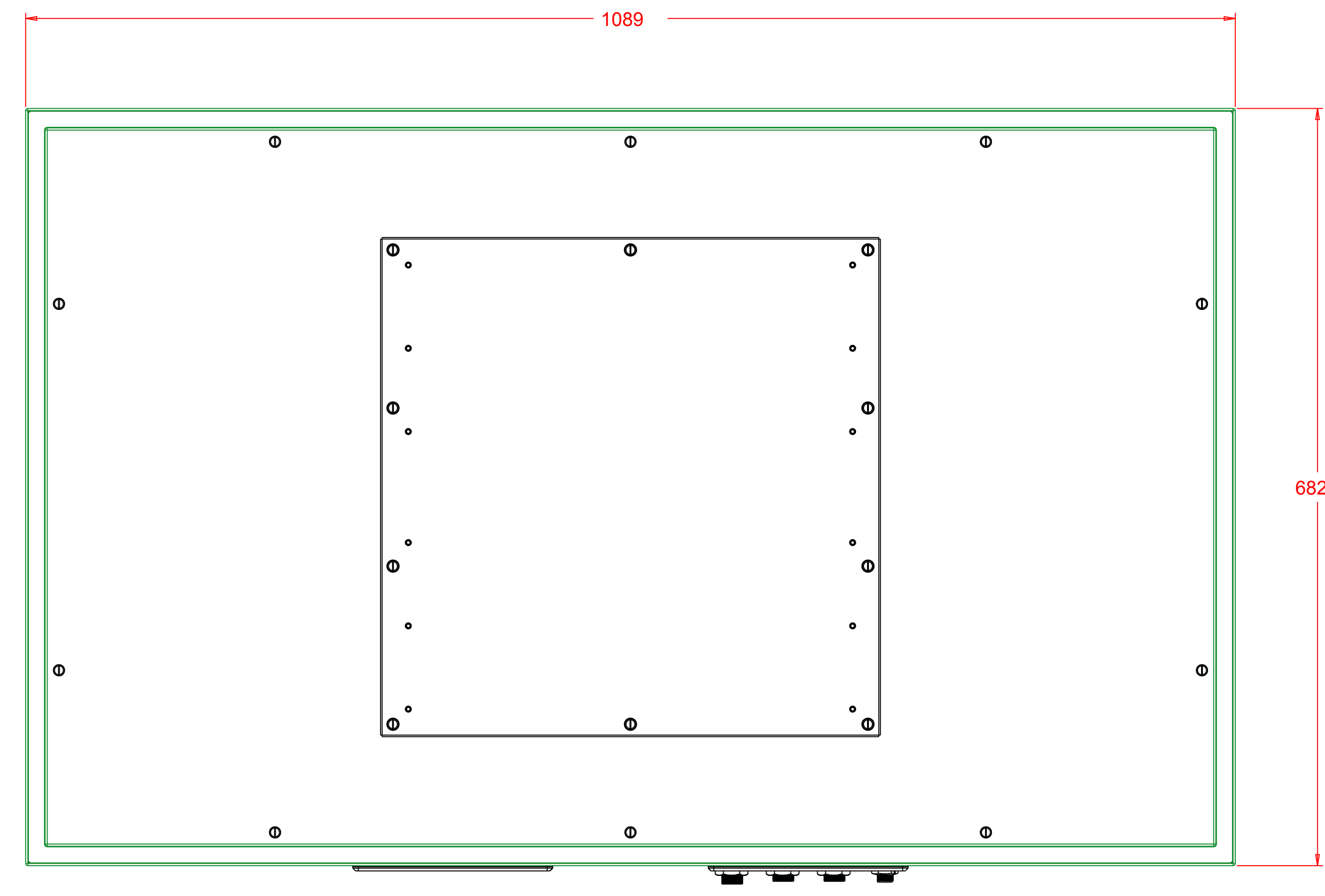
PARTS LIST			
ITEM	QTY	DESCRIPTION	PIN



SCALE 0.300



SCALE 0.300



UNITS: mm

ZONE	REV	DESCRIPTION	DATE	APPROVED
REVISIONS				

The information disclosed on this document is the exclusive property of ARISTA CORPORATION. Reproduction, disclosure, or the use of this document or information without the written permission of ARISTA CORPORATION is prohibited.

UNLESS OTHERWISE SPECIFIED:  
DIMENSIONS ARE IN INCHES  
TOLERANCES:  
DECIMALS ANGULAR  
XX .04 °  
XXX .003

<b>ARISTA CORPORATION</b> 41300 Bayview Rd, Fremont, CA 94538	
<b>TITLE</b> ARP-5542AX-E01 ASSEMBLY	
DRN YoyoSu	DATE 01/02/2016
CHECKED E	SIZE E
DESIGN	SCALE 0.300
FSCM NO.	DWG NO.
REV	SHEET OF